

HOFMANN®



DLS12012

Two-Post

AUTOMOTIVE LIFTS

HOFMANN 2-POST LIFTS - STRONG, VERSATILE, SAFE

Hofmann 2-Post Automotive Lifts give you the highest capacity with the best quality, features and versatility at the most reasonable cost of any North American manufactured lift.

All Hofmann 2-Post Lifts:

- Feature single-point safety lock release for 2-hand lift lowering - keeps the operator safe while lowering the lift!
- Include mechanical safety locks for added safety
- Are assembled with industrial-strength columns for increased strength and durability
- Come with pre-loaded lift arms - straight even when loaded!
- Use dual pre-stressed equalizing cables - ensures level lifting!
- Are ALI Certified by ETL to ANSI standard ALCTV-2006



HEAVY-DUTY CONSTRUCTION FOR INCREASED SAFETY



Industrial-Strength Columns

Increases carriage stability & uses glide blocks made from UHMW polyethylene to ensure a smoother gliding operation.



Fully Supported Arm Pins*

Prevents lifting arms from sagging. Nickel/zinc plated arm pins increase lifting arm's life span.



Bolt-on Gear-Cut Arm Restraints*

Increases lifting arm stability.

* Model Specific. Visit our web site or call your Local Sales Representative for more information.



18K

DLS18016 (Symmetric)



- Single-point safety locks automatically re-engage when palm button is released.
- Mechanical safety locks at 15 operating positions.
- Cable-activated overhead safety switch.
- Overhead beam reinforces lift structural integrity.
- Low-profile telescoping arms with 3 sets of adjustable spindle pads. Includes 5" and 10" extensions.
- Heavy-duty threaded arm restraints engage when lift is raised.
- Optional low-lift rubber pad adapters available (JBC075L).



15K

DLS15016 (Symmetric)



- Single-point safety locks automatically re-engage when palm button is released.
- Mechanical safety locks at 15 operating positions.
- Cable-activated overhead safety switch.
- Overhead beam reinforces lift structural integrity - 16.1' adjustable down to 14.5' if requested upon installation.
- Low-profile telescoping arms with 3 sets of adjustable spindle pads. Includes 5" and 10" extensions.
- Heavy-duty threaded arm restraints engage when lift is raised.
- Optional low-lift rubber pad adapters available (JBC075L).



12K

DLS12012 and DLS12014 (Symmetric)



- Steel cable pulleys with oil impregnated iron bushings reduce the need for maintenance and increase life of lift.
- Mechanical safety locks at 20 operating positions.
- Dual-function micro-switch activates vehicle height safety rod and increases life span of drive motor and cylinders.
- Overhead beam reinforces lift structural integrity - 12' or 14'.
- Stack pad style lift works with both cars and trucks (3" and 6" adapters included).
- Optional two-position (12" or 24") bolt-on height extension kit available (JBC080).

duolift 10K Combo

DLSA10V (Symmetric and Asymmetric)



- Integrated symmetric/asymmetric design delivers 2 choices for optimum vehicle lifting.
- Three-stage telescopic front arms provide maximum reach and vehicle coverage.
- Mechanical safety locks at 17 operating positions.
- Dual-function micro-switch activates vehicle height safety rod and increases life span of drive motor and cylinders.
- Overhead beam reinforces lift structural integrity.
- Stack pad style lift works with both cars and trucks (3" and 6" adapters included).



10K

DLS1012 and DLS1014 (Symmetric)

DLA1012 and DLA1014 (Asymmetric)

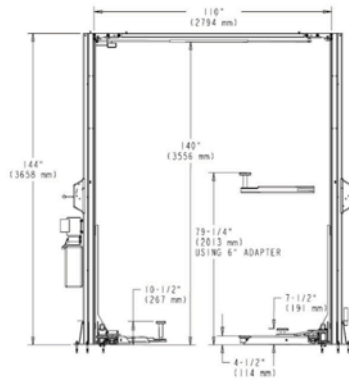


- Steel cable pulleys with oil impregnated iron bushings reduce the need for maintenance and increase life of lift.
- Mechanical safety locks at 17 operating positions.
- Dual-function micro-switch activates vehicle height safety rod and increases life span of drive motor and cylinders.
- Overhead beam reinforces lift structural integrity - 12' or 14'.
- Stack pad style lift works with both cars and trucks (3" and 6" adapters included).

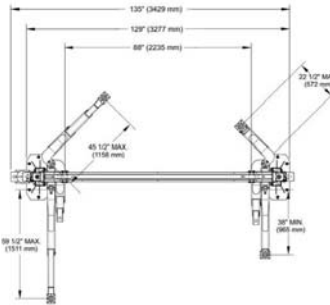


COMPLETE VERSATILITY

10,000 LB. CAPACITY

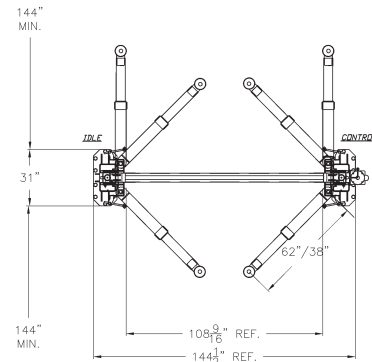


DLSA10V front view



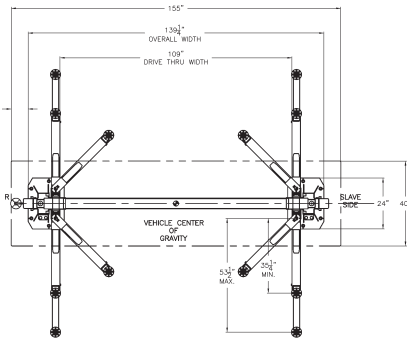
DLSA10V top view

18,000 LB. CAPACITY

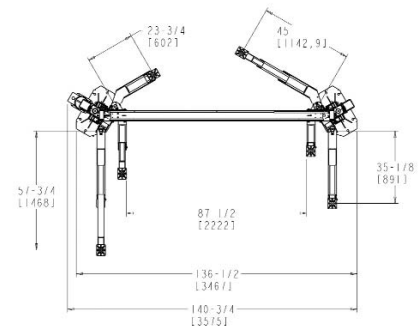


DLS18016 top view

10,000 LB. CAPACITY

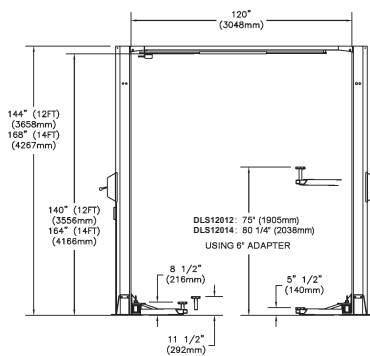


DLS1012 top view

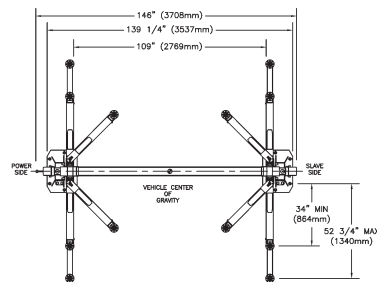


DLA1012 top view

12,000 LB. CAPACITY

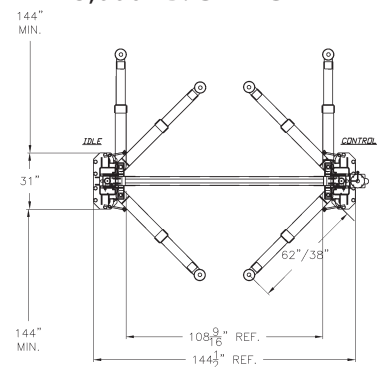


DLS12012 & DLS12014 front view



DLS12012 top view

15,000 LB. CAPACITY



DLS15016 top view

Two-Post Automotive Lift



SPECIFICATIONS

	Capacity	Symmetric Or Asymmetric	Overall Width	Overall Height	Width Between Columns	Maximum Lifting Height*	Under-Bar Clearance	Drive-Thru Width	Shipping Weight	Lifting Time
DLS1012	10,000 lbs.	Symmetric	147 3/4"	144"	120"	79 1/2"	140"	109"	1,545 lbs.	45 sec.
DLS1014	10,000 lbs.	Symmetric	147 3/4"	168"	120"	79 1/2"	164"	109"	1,620 lbs.	45 sec.
DLA1012	10,000 lbs.	Asymmetric	144"	144"	106 3/4"	79 1/2"	140"	87 1/2"	1,545 lbs.	45 sec.
DLA1014	10,000 lbs.	Asymmetric	144"	168"	106 3/4"	79 1/2"	164"	87 1/2"	1,620 lbs.	45 sec.
DLSA10V	10,000 lbs.	Both	135"	144"	110"	79 1/2"	140"	88"	1,500 lbs.	45 sec.
DLS12012	12,000 lbs.	Symmetric	146"	144"	120"	80"	139"	109"	1,565 lbs.	60 sec.
DLS12014	12,000 lbs.	Symmetric	146"	168"	120"	80"	163"	109"	1,565 lbs.	60 sec.
DLS15016	15,000 lbs.	Symmetric	145 1/2"	193 1/4"	120 3/4"	88 5/8"	183"	108 1/2"	3,350 lbs.	70 sec.
DLS18016	18,000 lbs.	Symmetric	145 1/2"	193 1/4"	120 3/4"	88 5/8"	183"	108 1/2"	3,752 lbs.	70 sec.

All 2-Post Lift's standard Power Requirements are 230V, 1Ph, 60Hz. Other Power Requirement Configurations are available.

* With 6" adapters.

Hofmann manufactures a complete line of wheel service equipment.



Combination brake lathes for rotors, drums and flywheels



Portable Imaging Alignment Systems



Wheel Balancers



USA

309 Exchange Avenue • Conway, AR 72032
(800) 251-4500 • (501) 505-2662
Fax (501) 450-2085 • www.hofmann-usa.com

Canada

6500 Millcreek Drive • Mississauga, ONT L5N 2W6
(800) 267-2185
Fax (905) 821-2073 • www.hofmann.ca