

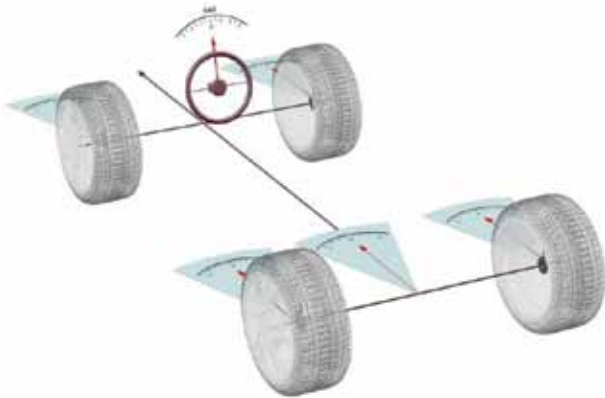
# HOFMANN®



***geoliner™ 680/670***

**WHEEL ALIGNERS**

## EZ-LINK™\* STEERING ANGLE SENSOR (SAS) RESET



EZ-Link™\* software alerts the technician of OEM service & maintenance procedures related to Electronic Stability Control and Electric Power Steering systems.

OEM instructions guide the technician through the process of resetting the steering angle sensors along with other sensors as required. EZ-Link™ includes manual as well as electronic resets.



### ⚠ Determine if this vehicle is equipped with Electronic Power Steering (EPS)

After replacing the power steering motor and module assembly 3 procedures must be performed: Steering Position Sensor Calibration, Torque Sensor Calibration and Steering Tuning.

If replacing the steering column assembly only, the Steering Position Sensor and the Torque Sensor Calibration procedures must be performed.

The Steering Position Sensor and Torque Sensor Calibration procedures should also be performed after a suspension alignment.

Certain steering symptoms such as uneven return to center, poor center feel, uneven left/right assist, can be corrected by performing the Steering Position Sensor and Torque Sensor Calibration procedures.

The Torque Sensor Calibration:

1. Turn the ignition OFF, install the scan tool.

**OPTIONAL**

## EZ-STREAM\* SCAN TOOL

EZ-Stream Scan Tool Kit allows the technician to reset the Steering Angle Sensor (SAS) during the alignment procedure by integrating the steps through the aligner console.

- EZ-Stream is Fast, Simple and Affordable.
- Follows OEM required reset procedures.
- Yearly updates with alignment specs.



EAK0284B10A1

**OPTIONAL**

## DRIVE-ON CAMERA AID/VIN CODE READER

Drive-on Camera Aid eliminates the need for assistance with positioning the vehicle on the lift.



Optional Drive-On Camera Aid  
EAK0289J91A



Optional VIN Scanner  
EAK0289J86A

VIN Code Reader allows the technician to scan the Vehicle Identification Number and automatically input it into the aligner, saving time and eliminating the possibility of operator error.



## HOFMANN IMAGING TECHNOLOGY

### Set-Up To Readings In Under 2 Minutes

Imaging Technology allows you to do more alignments in less time. The patented non-electronic shatter-proof wheel targets eliminate service calls for calibrations and wheel sensor maintenance.



**1** Mount wheel targets



**2** Roll vehicle back or pull forward only 8"



**3** Obtain all alignment readings in under 2 minutes. Adjust vehicle using live measurements.

# EXCLUSIVE CUTTING-EDGE ALIGNMENT MEASUREMENT TOOLS

## ADVANCED VEHICLE MEASUREMENTS



3-Dimensional modeling also generates very accurate distance measurements.

### Rolling Radius Measurements™\*

Same size tires from different manufacturers may not always be the same size/diameter. This can cause steering pull which is nearly impossible to diagnose without this tire measuring feature. 3-dimensional modeling also generates very accurate distance measurements.



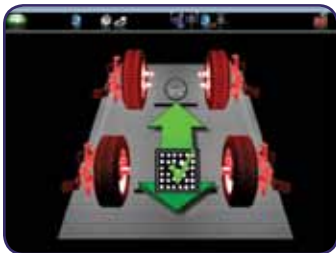
Scrub Radius\*, Caster Trail\*, SAI and Included Angle readings

### Caster Trail\*, Scrub Radius\*, SAI and Included Angle Measurement Screen

This feature is available only with the geoliner 680's software. It provides a graphical representation of Caster Trail, Scrub Radius and Included Angle. The operator must enter the tire width in order to calculate scrub radius, but the geoliner 680 enters all other required parameters automatically upon completion of rollback/positioning.

### 2-Wheel Alignment Capability

Great for performing 2-wheel alignment checks on fixed rear axle vehicles. Camber and Toe measurements in less than one minute!



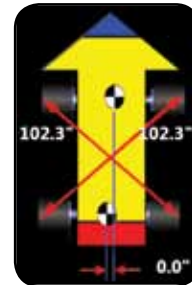
Box crossed indicating that the rear targets will not be used.



Single wheel positioning is available in 2-wheel mode for large vehicles.

### Cross-Diagonal\*

Helps diagnose possible collision damage & identifies frame or structural issues that many shops miss.



### Ride-Height Technology\*

As the system provides step-by-step instructions, simply hold the TIP (Target Imaging Pointer) against the vehicle touch points and this exclusive digital imaging tool measures OEM specifications to  $\pm 0.05"$ . The screen provides a live camera view to aid in target placement and an audible signal to indicate when each measurement is complete.



Simple implementation of the Ride Height TIP.

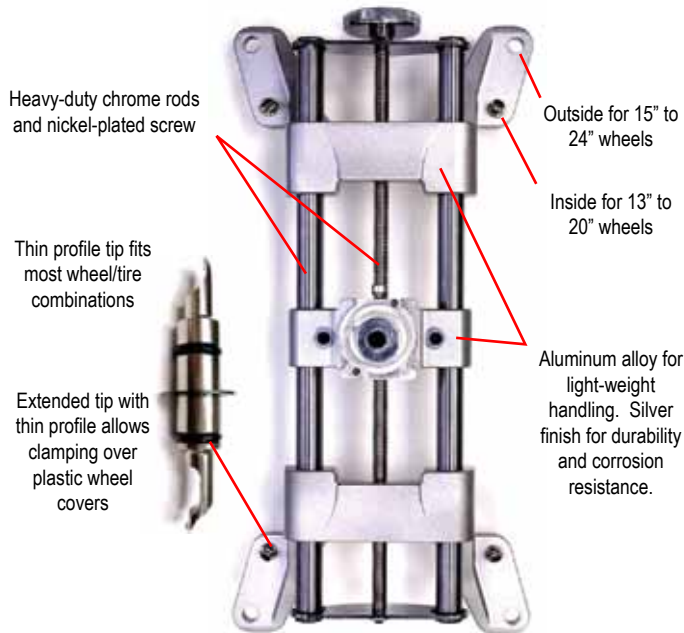


Live camera view aids technician in target placement.

\* Patented and/or Patent Pending Features

# 24" UNIVERSAL WHEEL CLAMPS

## Universal Wheel Clamps with Shatterproof Targets



## Optional Alloy Quick Clamp Kit

(EAK0268J63A) Allows accurate clamping without risk of scratching the wheel finish. Provides secure attachment to wheel while plastic sleeves placed over standard claws ensure proper placement and wheel protection.



## Optional Clamp Extensions

(EAK0268J62A) Increases maximum clamping diameter to 28".



# ADDITIONAL FEATURES

## EZ-Access Software\*

For vehicles on which tire size or body style makes adjustments difficult, our software allows a "Wheels-Off" alignment. It's perfect for quick and easy installment of aftermarket suspension kits as well as OEM adjustments.



## Intuitive Measurement

Measurement of caster, toe out on turns and maximum steering angle can be done by simply turning the steering wheel ONCE to the left and right. The system recognizes your steering input and anticipates the next measurement.

## Animated Adjustment Aid

Technicians benefit from on-screen visual aids for vehicle specific adjustments, including instructions, comments and necessary tools.



\* Patented and/or Patent Pending Features

# geoliner™ 680/670



## FEATURES

- EZ-Access\*† (Wheels-Off Alignment)
- Software for Modified Vehicles†
- Advanced Vehicle Dimensions†
- Pro-Ackerman™\*†
- Scrub Radius\*†, Caster Trail\*†, and SAI†
- Information Systems Compatible
- TPMS Information
- Technical Service Bulletins
- Track Width
- Wheelbase
- Front and Rear Set-back
- Live 3D Modeling\*
- Cradle Adjustments
- Intuitive Caster Measurement
- Drag Link Adjustments
- Single Tie Rod Adjust
- Toe Curve Change
- Vehicle Dynamics
- Roll Forward & Split-Positioning Sequence
- Rolling Radius\*
- Cross Diagonal\*
- Custom Inspections and Reports
- Multiple Alignment Wizards (Incl. Custom)
- SAI and Thrust Angle
- Included Angle
- Toe Out On Turns/Max Turn
- Front and Rear Toe
- Front/Rear/All/Zoom Readings
- FrameCheck™ Light Truck Frame Angle
- Initial/Final Color Printouts
- Individual Camber/Caster/Toe
- Front Caster (-28° to +28°)
- Front & Rear Camber (-15° to +15°)
- 3D Animation
- Video Help
- A-Arm Adjustments
- Adjust Camber Only
- Elevated Adjustments
- Rear Shim Programs
- Multiple Lift Support (3)
- Vehicle Specs: 25+ years
- EZ-Link™\*
- EZ-Stream™\* (Optional)
- EZ-Toe™\*
- Steering Wheel Level Check
- Drive-On Camera Aid Ready
- Equalize Toe Warning
- Adjust Front Before Rear Warning
- Ride Height\*
- Multiple Clamp Support
- 2-Wheel Alignment
- 32 Languages
- Multiple Print Formats
- Custom Vehicle Specifications
- Regional Specifications
- Integrated Help System (PDF)
- Tools, Parts, and Adjustment Instructions
- Advanced Customer Database with Backup/Restore
- Multiple Units of Measure
- Caster and SAI on Turntables
- SAI Elevated
- Live Caster, Camber and Toe - Turntables
- Live Caster, Camber and Toe - Elevated
- NorthStar Shim Program
- Light Truck Bushing
- Remote Control
- Variable-Height Camera Support Controls

## SPECIFICATIONS

### Equipment Specifications

- Wheel Size: 13" - 24"
- Tire Diameter: Unlimited
- Track Width: 48" - 96"
- Wheel Base: 79" - 180"
- Power Requirements: 120/230V, 1Ph, 60Hz

### Standard Accessories

- Universal Wheel Clamps/Targets: *EAK0268J52A*
- Steering Wheel Holder: *00055502000*
- Brake Pedal Depressor: *00000096000*
- Camera Beam: *EAA0305J48A*
- Color Ink Jet Printer: *EAK0268J05A*
- Ride Height Target Kit\*: *EAK0256J71A*

### Recommended Accessories

- Premium Turntables: *EAK0289J06A*
- Paddle Kit (for *EAK0289J06A*): *EAK0277J28A*
- 4-Post Rollback Kit: *EAK0277J39A*
- 12K Scissor Rollback Kit: *EAK0277J40A*
- 10K/14K Scissor Rollback Kit: *EAK0277J67A*
- Hunter/Rotary Rollback Kit: *EAK0277J45A*
- 12K Scissor Roll Forward/Rollback: *EAK0277J47A*

### Optional Camera Support Configurations

- Fixed-Height Camera Support: *EAA0321J01A*
- Variable-Height Camera Support: *EAA0321J19C*
- Electronic-Tilt Camera System: *EAK0289J64A*
- Wall/Pit Camera Support (8"): *EAK0289J63A*
- Wall/Pit Camera Support (Adjustable 36" - 60"): *EAK0289J36A*

### Optional Accessories

- Universal Wheel Clamp Ext. Kit: *EAK0268J62A*
- Alloy Quick Clamp Kit: *EAK0268J63A*
- Frame Angle Gauge: *8-05320A*
- Remote Display Readout: *EAK0268J08A*
- Convex Mirror: *EAK0289J35A*
- EZ-Stream™\*: *EAK0284B10A1*
- VIN Scanner Kit: *EAK0289J86A*
- Drive-on Camera Aid: *EAK0289J91A*
- Rollback Rubber Pads: *JBC04600000*
- Hub Adapter Kit: *EAK0222J83A* (Wheels-Off Alignment)
- BMW 7 Series/MB A-Class Hub Pin Kit: *EAK0256J41A*
- Porsche Alloy Adapter Kit: *EAK0222J20A*

† geoliner™ 680 Only.

‡ Standard on geoliner™ 680, Optional on geoliner™ 670

\* Patented and/or Patent-Pending Features



USA

309 Exchange Avenue • Conway, AR 72032  
(800) 251-4500 • (501) 505-2662  
Fax (501) 450-2085 • [www.hofmann-usa.com](http://www.hofmann-usa.com)



Canada

6500 Millcreek Drive • Mississauga, ONT L5N 2W6  
(800) 267-2185  
Fax (905) 821-2073 • [www.hofmann.ca](http://www.hofmann.ca)

